

FDO Sanitary Series Valves R3/3A and Lower

REGULATOR USE AND STARTUP FOR FDO6-24 R3A MODELS AND LOWER

WARNING:

Make sure that you have read and understand these directions before using, installing, or maintaining the Equilibar pressure regulator. Take steps to ensure this instruction manual reaches the operator of this regulator and stays with the regulator throughout its lifetime. Use, installation, operation, and maintenance of all pressurized products including this regulator must be performed by personnel who are properly trained and qualified through experience or specific training.

Failure to properly observe the instructions contained in this document may result in, but is not limited to:

- Serious personal injury or death
- Unconstrained release of the pressurized media
- Permanent damage to the pressure regulator and/or permanent damage to connected equipment



! THESE INSTRUCTIONS ARE FOR FDO6 - FDO24 REV3/3A OR LOWER MODELS

How to find the revision number: Look at your part number on the label or the sales order & see part number key below

- The part number will begin with “FDO” followed by a number indicating size
- 6 = 3/4”; 8=1”; 12 = 1.5”; 16 = 2”; 24 = 3”
- The fourth character AFTER the size number will be another number. This is the revision number.
- If you cannot ascertain the revision number, please contact Equilibar at [equilibar.com/contact](https://www.equilibar.com/contact)

EXAMPLE																	
FDO	6	S	H	N	3	-	N	S	C	P	150	T	135	J	10	P	-S
	size				rev #												

» If your FDO regulator is not one of these revisions, contact equilibar or visit our product downloads page [equilibar.com/support/downloads](https://www.equilibar.com/support/downloads)

BACKGROUND

The Equilibar® FDO Series regulators are precision back pressure regulators (BPRs). These BPRs control the fluid pressure at the inlet “I” port by allowing excess flow to vent from the system through the regulator’s outlet “O” port. The flow direction is from inlet to outlet. The Equilibar BPR is pilot operated, so the pressure setpoint is determined by the pressure applied to the *pilot* or *reference* “R” port on the dome of the regulator (see Fig. 1). The FDO will control the pressure at its inlet port in a near 1 to 1 relationship with the setpoint pressure applied to the pilot port. This *pilot pressure* may be applied with a mechanical knob adjusted pressure regulator or with an electronic pressure regulator (electro-pneumatic regulator). The pilot regulator requires a source of clean, compressed gas.

Refer to Fig.1. The Equilibar FDO uses a flexible membrane diaphragm to both sense the pressure and to provide a direct seal against the multiple orifices in the regulator body. The pilot pressure is applied to one side of the diaphragm and the inlet pressure is sensed on the other side of the diaphragm. When the pilot pressure is greater than the Inlet pressure, the diaphragm is pushed firmly against the orifices to form a seal and the regulator is effectively closed. When the inlet pressure builds and just equals the pilot pressure, the closing forces are removed from the diaphragm and media can begin to pass from the Inlet to the outlet port. When sufficient media has passed through the regulator, the Inlet pressure will be reduced slightly and the diaphragm is allowed to seal against the orifices again. In normal operation, equilibrium is achieved and the diaphragm modulates into a position where just enough flow is allowed out of the regulator in order to maintain a steady pressure on the inlet port.

Scan QR code to product brochure for more details



2 SET-POINT OPTIONS

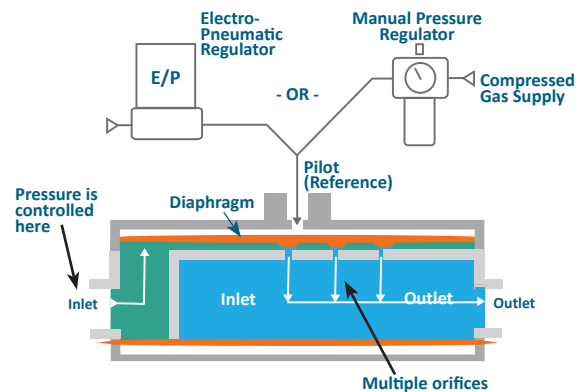


Fig. 1: Equilibar FDO Operation

Equilibar application engineers work with customer specifications to suggest a regulator design for the specific application and operating parameters. These suggestions are recommendations only and are dependent on complete and accurate information from the end user about the application. It is the ultimate responsibility of the user to determine the compatibility of the media with the materials of construction of the back pressure regulator and with the pilot gas in use. If operating parameters change from the original specifications, [contact the Equilibar application engineering team.](https://www.equilibar.com/contact)

FDO Sanitary Series Valves R3/3A and Lower

PREPARING FOR INSTALLATION

- Inspect the Equilibar BPR for any damage. Consult Equilibar before proceeding if you find any damage.
- Verify that the part number on the Equilibar BPR product label matches what you had requested
- Verify that the rating on the Equilibar BPR label for maximum allowable working pressure (MAWP) and maximum allowable working temperature (MAWT) will not be exceeded when the BPR is used.
- Call or e-mail Equilibar if you have any questions, concerns, or need a new copy of these instructions. Be sure to include the full part number and serial number of the BPR you are inquiring about. (01-828.650.6590, info@equilibar.com)
- Take precautions to prevent injury to personnel in the event of a diaphragm failure or external leak. Sensitive fluid controls such as an Equilibar BPR can experience internal or external leaks. See standard terms and conditions for important limitations of liability notes.
- Diaphragms may fail in the open or closed position. Proper safety precautions should be taken for either failure mode
- Some diaphragms are manufactured with a small tab of protruding material. This is nonfunctional and is included only to allow easy inspection of the diaphragm material and thickness without the need to disassemble the regulator.
- Every Equilibar regulator is individually hand tested at the factory for operation and external leakage. Leak testing is typically performed at 1.5X the MAWP.
- The Equilibar BPR is not a “Safety Accessory” as defined by the Pressure Equipment Directive 2014/68/EU. Be sure to install appropriate over pressure protection devices such as safety relief valves or rupture discs to protect the system and the BPR from exceeding the maximum allowable working pressures. These safety devices must meet applicable law, codes, regulations, and standards for your jurisdiction.
- Equilibar regulators are cleaned internally and externally at the factory using aqueous based cleaners in an ultrasonic cleaner and manual wipe down with denatured alcohol.
- Install a strainer or filter (100 micron/100mesh or better upstream of the Equilibar BPR to prevent plugging of the orifices. Consider the effect the pressure drop in the filter will have on the system pressure control.
- Inlet ports are stamped with an “I”; Outlet ports are stamped with an “O”.
- The inlet “I” port is connected to the point in the system where it is desirable to maintain or control the pressure. The best pressure control will be seen if the plumbing to the BPR inlet port is as short and as large as practical to minimize the amount of pressure drop in the plumbing.
- System media will be vented out the BPR outlet “O” vent port, also called an exhaust port. Be sure that the media is vented to a safe environment, away from employees, and in accordance with applicable laws in your jurisdiction. Take care that the outlet port cannot become blocked during operation by a valve closure, snow, ice, condensate, insects, birds nesting, etc.
- Even inert gases can cause suffocation through oxygen displacement. Ensure adequate ventilation and oxygen levels will be maintained when media is vented from the BPR outlet.
- Provide adequate exhaust line capacity to prevent pressure build-up on the BPR outlet port. Short or oversized exhaust lines are recommended.
- Any bolt, screw, or connector threaded into a stainless steel body should have some small amount of lubricant to prevent

thread galling. Thread galling is usually permanent and causes the regulator to be scrapped. The Equilibar factory applies Krytox™ FDA, NSF H1 Food Grade Lubricant to bolt thread connections that are not wetted by the process fluid.

PREPARING THE PILOT REGULATOR

- The pilot pressure supply should be an inert compressible gas. Incompressible media such as liquids do not make effective pilot pressures because they do not allow the BPR diaphragm to adjust quickly. Make sure the pilot media is compatible with the media flowing through the BPR.
- The controlled pressure is a near exact 1:1 relationship to the pilot pressure. Installing a pressure gauge in the pilot port may offer advantages over installing a gauge in the Inlet “I” port. The inert pilot media can be read with a less expensive gauge and the pilot pressure may be set even when there is no system media actively flowing.

INSTALLING

1. The Equilibar BPR and pilot regulator arrive ready to use.
2. Install the pilot regulator following instructions included with the order. Check the performance of the pilot regulator before attaching to the reference port of the Equilibar BPR. For best stability when using an electronic pilot regulator, the tubing between the outlet of the electronic regulator and the dome of the BPR requires a minimum volume of 2 in³/ 35cc.
3. The Equilibar BPR will control pressure or flow in any orientation and may be mounted in any plane. However, for maximum drainability performance, install the FDO vertically with the inlet down, such that fluid flows upward through the valve during normal operation. See figure C on page 4.
4. Install the BPR ensuring the inlet “I” and outlet “O” are installed in the proper direction of flow. Pressure is controlled at the inlet “I” port.
5. Connect the pilot regulator outlet port to the reference port of the BPR and adjust the pressure to the desired setpoint.
6. Equilibar recommends an initial ‘*setting*’ of diaphragms at application operating pressure. This is achieved by applying that pressure to the reference port of the Equilibar. This ‘*setting of the diaphragm*’ can help the diaphragm perform at lower flow rates.
7. The BPR is designed to have maximum reference pressure applied even when there is no pressurized media at the inlet “I” port. No damage will result.
8. Start the flow of process fluid *after* the reference pressure has been applied and the diaphragm has been set.
9. Cleanability has been evaluated using riboflavin at 5 ft/sec. Reference pressure must be disengaged during the cleaning process to allow full flow through the valve. Cleaning results will vary by media and process design. Customer is responsible for verifying the efficacy of their process cleaning cycle.
10. Exercise caution when reducing the reference pressure. The BPR will attempt to reduce the inlet pressure at the same rate that the reference pressure is being reduced. This can result in extremely rapid release of media through the outlet (O) port of the regulator. Reduce the reference pressure as slowly as practical.
11. After CIP/SIP step, ensure process line remains pressurized for optimal drainability.
12. When preparing for maintenance or shutting the system down, turn the process fluid off before removing pilot pressure supply to the reference port.

FDO Sanitary Series Valves R3/3A and Lower

MAINTENANCE NOTES

- Maintain strainer or filter upstream of device to avoid debris getting trapped in the orifices
- Annual inspection of diaphragm integrity is recommended, especially for applications where there is strong or regular pulsing (i.e. reciprocating pump, etc.).
- It is expected that diaphragms will need to be replaced on a regular basis, the timing of which is dependent on the application.
- Spare parts and repair kits are available for diaphragms and other internal components where necessary.
- It is recommended to order repair kits prior to performing maintenance. [Contact Equilibar](#) to order for your specific model. Please have the part number available to ensure proper spare parts are ordered.

PREPARING FOR MAINTENANCE OR TROUBLESHOOTING

- When preparing for maintenance or shutting the system down, turn the process fluid off before removing pilot pressure supply to the pilot port. This step will prevent a sudden release of system media pressure through the BPR.
- Release the pilot pressure and remove the pilot/reference port piping to clear the BPR for maintenance. Equilibar BPR's can be serviced 'in-line' and do not need to be removed from the system piping.
- Loosen the bolts in the cap of the BPR and disassemble wearing proper protective equipment. See exploded view and instructions on page 4 for more details.
- Inspect diaphragms and passive dampening inserts (PD inserts) for integrity to determine if they need to be replaced or cleaned.
- Clean all stainless steel surfaces to remove any residual process fluids or particulates.
- Reassemble with new or clean parts following the instructions on page 4.
- After reassembling, follow "installing" instructions on page 2.

TROUBLESHOOTING

PROBLEM	POSSIBLE SOLUTIONS
Maximum flow is reduced	Clean out internal orifices
Will not maintain back pressure at low flow rates	1. Inspect the regulator for debris or diaphragm damage which prevents the diaphragm from sealing against the orifice in the regulator body 2. Contact Equilibar Applications Engineer to review low flow specifications
External leak around diaphragm	1. Check for loose screws. If they have loosened, tighten to torque values listed. 2. Check for misaligned flanges, PD Insert or diaphragms 3. Check for scratched sealing surfaces 4. Check diaphragms for damage. Replace as necessary
Chatter on the downstream tubing	1. Increase exhaust piping size 2. Contact factory for additional assistance
Air in process exhaust	Check for ruptured diaphragm
Fluid out of the reference port	Check for ruptured diaphragm

RATED PRESSURE NOTE

Equilibar regulator bodies have a *shell pressure rating* based on the body and bolt strength using principles of the ASME B31.3 and confirmed using hydrostatic testing. These shell pressure ratings are the maximum rating for each design as listed in the technical brochures. For example, FDO6 is listed as having a maximum pressure rating of 150 psig (10bar) standard.


Equilibar configures individual regulators to the specific customer application which may involve fitting the valve with a thinner diaphragm to meet precision or low-flow requirements. The diaphragm selection, operating temperature, chemical composition or other factors may cause pressure derating. Therefore, the MAWP printed on an Equilibar BPR label reflects that of the selected diaphragm and application conditions but will not exceed the shell pressure rating of the body design.

The maximum pressure rating for the shell is always based on the body and bolt strength and is not printed on the product label. Customers may contact Equilibar engineers if they desire to increase unit MAWP by upgrading diaphragm thickness.

PATENT INFORMATION www.equilibar.com/support/patents/

FDO Sanitary Series Valves R3/3A and Lower

ASSEMBLY INSTRUCTIONS - REVISION 3 FDO6, FDO8, FDO12, & FDO16

 Model revision number is important to know prior to assembly.

How to find the revision number:

- The model number will begin with “FDO” followed by a number indicating size (6 = 3/4”; 8=1”; 12=1.5”; 16=2”)
- The fourth character AFTER the size number will be another number. This is the revision number. See table below.
- The sales order and label will have the model number. If you cannot ascertain the revision number, please contact an Equilibar engineer at equilibar.com/contact

PART NUMBER SCHEME TABLE																
FDO	8	S	H	N	2	-	N	S	C	P	102	T	100	G	10	P
	size				rev. #											
1	2	3	4	5	6		7	8	9	10		11		12	13	14

» If your regulator is revision 3 or 3A, follow the assembly instructions below.

» If your regulator is revision 2 or lower, go to page 5.

1. Insert bottom bolts into bottom cap, then invert and set bottom cap on a flat surface, resting it on the bolt heads. If your model has passive dampening insert(s) (PD inserts), place the PD inserts in the bottom cap recess. Place the ring-shaped PD Insert first, followed by the disk-shaped PD Insert (see exploded view for details).
2. Lay bottom diaphragm on top of the PD Inserts and bottom cap, aligning the holes with the bolts.
3. Holding diaphragm in place, invert bottom cap and place onto the bottom of the body, aligning bolts with holes. Hand tighten bottom cap bolts in an alternating pattern as shown in Figure B.
4. Flip entire assembly over so the top of the body is now accessible. Lay the top diaphragm on the top of the body, aligning bolt holes.
5. Carefully place reference cap on diaphragm and body, aligning bolt holes.
6. Insert and hand tighten reference cap bolts in a star pattern as shown in Figure B.
7. Tighten bolts using this recommended torque procedure below:

Note: *Torque bolts slowly with hand tools using the star pattern in Figure B to ensure uniform tightening. Motorized or pneumatic torque wrenches are not advised.*

- a. Starting with the top bolts on the reference cap, torque bolts to a very low torque (~5 in-lb) using a star pattern as shown in Figure B.
- b. Torque top bolts further to a moderate torque (~40 in-lb) using the star pattern shown.
- c. Give the top bolts a final torque to 100±5 in-lb (13.6± 0.5 N-m).
- d. Repeat torque instructions a-c for the bottom bolts.

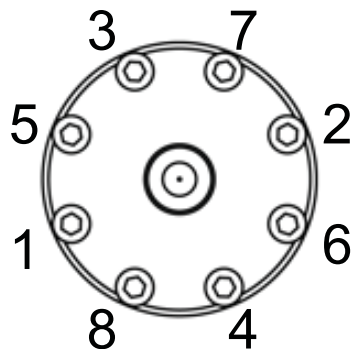


Figure B: Sample Bolt Torque Pattern

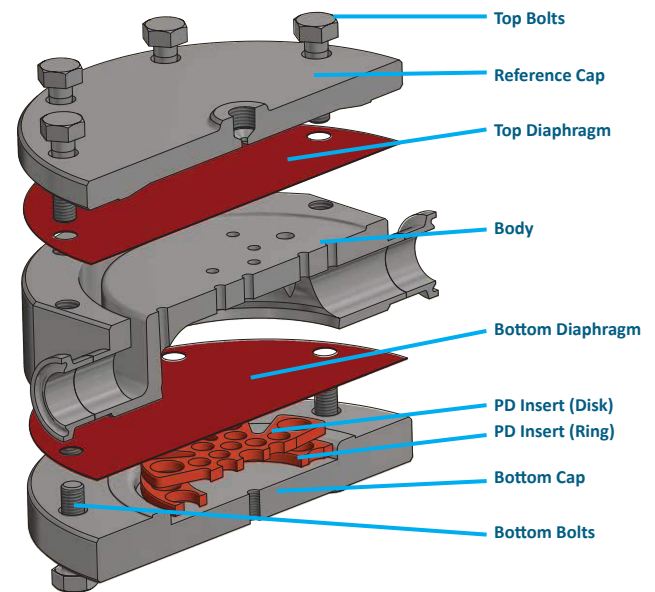


Figure A: Exploded View

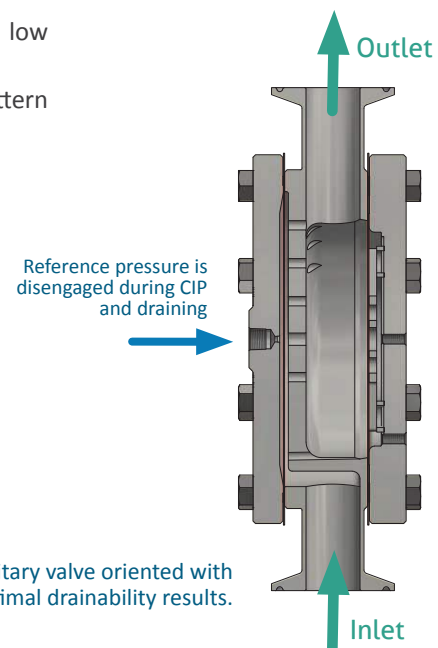


Figure C: FDO sanitary valve oriented with inlet down for optimal drainability results.

FDO Sanitary Series Valves R3/3A and Lower

ASSEMBLY INSTRUCTIONS – REVISION 2 AND LOWER FDO6, FDO8, FDO12, & FDO16 MODELS

⚠ Assembly instructions depend on the specific model. To avoid injury or failure, please follow instructions closely.

Start here and use the Torque Table on page 6 to find the final torque value for your FDO model. The model number will begin with “FDO” followed by a number indicating size (6 = 3/4”; 8=1”; 12=1.5”; 16=2”). The other numbers and letters indicate the body material, bolt types, diaphragm material and other information. Use the FDO Part Number Key on page 7 to identify the size, revision (rev#), bolt type and diaphragm of your FDO. The table below also shows you where to find the character for each of these parameters.

If you need help finding parameters, contact us.

Jot down your FDO size, rev#, bolt and diaphragm characters. You will use them for the torque table.

PART NUMBER SCHEME TABLE																
FDO	8	S	H	N	2	-	N	S	C	P	102	T	100	G	10	P
	size				rev. #				bolt					diaphragm		
1	2	3	4	5	6		7	8	9	10		11		12	13	14

- » If your regulator revision number is 2 or lower, follow the assembly instructions below.
- » If your regulator revision number is 3, go back to page 4 for assembly instructions.

- Place bottom cap on flat surface. Your regulator may have optional PD (pulsation dampening) Inserts. Some models use one, some have two. If there are 2, place the ring-shaped Insert in the bottom cap recess first, then place the disk-shaped insert on top. Otherwise place the one insert into the bottom cap recess. Lay bottom diaphragm on bottom cap next, being careful to align the bolt holes.
- Place body onto the bottom cap, taking care to align the body bolt holes and bottom bolt holes. You can use 2 bolts as locating pins to do this step.
- Align bolt holes in diaphragm with bolt holes in cap and lay diaphragm into place.
- Place the top cap on top, aligning bolt holes to allow bolts to slide through body and diaphragms to bottom cap threads.
- Slide the bolts, one at a time, through the hole in the top cap, then through the diaphragms and body into the threaded holes in the bottom cap. Hand tighten.
- Tighten bolts using this recommended torque procedure:

Note: Torque bolts slowly with hand tools one at a time using the star pattern in Figure B to ensure uniform tightening. Motorized or pneumatic torque wrenches are not advised.

- Torque bolts to a very low torque (~5 in-lb) using a star pattern as shown in Figure B.
- Torque top bolts further to a moderate torque (~40 in-lb) using the star pattern shown.
- Torque the bolts to the final torque for your specific model using your FDO model number and the table on page 6.

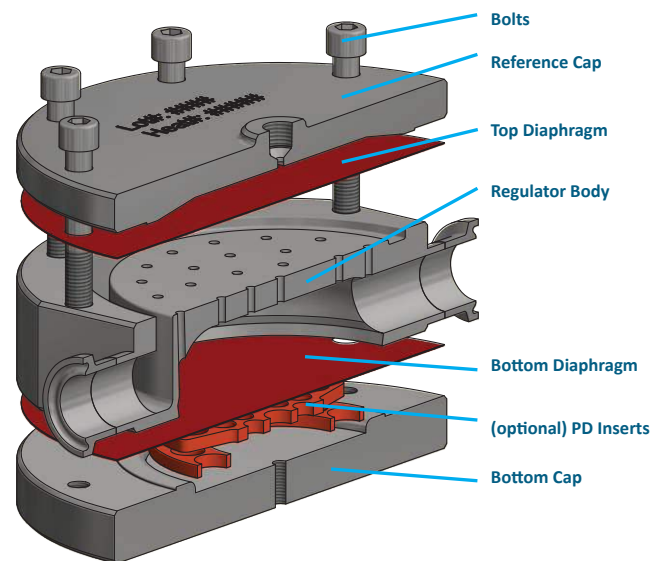


Figure A: Exploded View

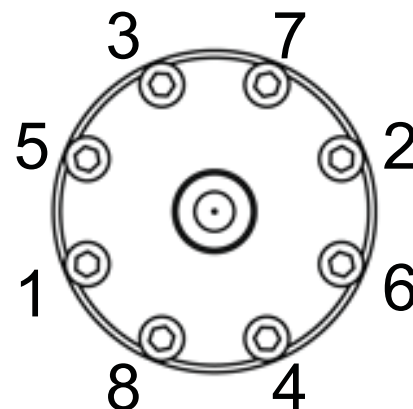



Figure B: Sample Bolt Pattern

Equilibar’s quality system is ISO 9001:2015 certified.

FDO Sanitary Series Valves R3/3A and Lower

ASSEMBLY INSTRUCTIONS TORQUE VALUES FOR R2 AND LOWER

 Model number is important to know prior to assembly. Follow instructions on page 5 to find model number.

Reassemble your FDO following instructions on page 5. Using the parameters found in the steps on page 5 and the torque table below, find the final torque for your FDO.

Torque to the specification listed next to your model number in the table below. Be sure to use the table with the proper size (FDO6, FDO8, FDO12 or FDO16). Ensure the bold colorful letters match your part number.

Contact Equilibar equilibar.com/contact if you need help or do not find your model number.

FDO MODEL TORQUE SPECIFICATIONS IN-LBF (N-M)

MODEL FDO6	TORQUE	MODEL FDO8	TORQUE	MODEL FDO12	TORQUE
FDO6xHN0 -xxCPxTxU...	50 (5.5)	FDO8xHN1 -xxCPxTxM...	70 (7.7)	FDO12xHN1 -xxCPxTxU...	50 (5.5)
FDO6xHN0 -xxCPxTxG...	70 (7.7)	FDO8xHN1 -xxCPxTxF...	70 (7.7)	FDO12xHN1 -xxCPxTxG...	70 (7.7)
FDO6xHN0 -xxCPxTxF...	70 (7.7)	FDO8xHN1 -xxCPxTxG...	70 (7.7)	FDO12xHN1 -xxCPxTxF...	70 (7.7)
FDO6xHN0 -xxCPxTxY...	70 (7.7)	FDO8xHN1 -xxCPxTxK...	70 (7.7)	FDO12xHN1 -xxCPxTxY...	70 (7.7)
FDO6xHN0 -xxCPxTxJ...	70 (7.7)	FDO8xHN1 -xxCPxTxV...	70 (7.7)	FDO12xHN1 -xxCPxTxJ...	60 (6.6)
FDO6xHN0 -xxCPxTxV...	50 (5.5)	FDO8xHN1 -xxCPxTxJ...	70 (7.7)	FDO12xHN1 -xxMPxTxU...	100 (11)
FDO6xHN0 -xxMPxTxU...	100 (11)	FDO8xHN1 -xxCPxTxY...	70 (7.7)	FDO12xHN1 -xxMPxTxG...	140 (15.4)
FDO6xHN0 -xxMPxTxG...	70 (7.7)	FDO8xHN1 -xxCPxTxU...	70 (7.7)	FDO12xHN1 -xxMPxTxF...	100 (11)
FDO6xHN0 -xxMPxTxF...	140 (15.4)	FDO8xHN1A -xxCPxTxU...	70 (7.7)	FDO12xHN1 -xxMPxTxY...	100 (11)
FDO6xHN0 -xxMPxTxY...	140 (15.4)	FDO8xHN1A -xxCPxTxG...	70 (7.7)	FDO12xHN1 -xxMPxTxJ...	140 (15.4)
FDO6xHN0 -xxMPxTxJ...	140 (15.4)	FDO8xHN1A -xxCPxTxF...	70 (7.7)	FDO12xHN1A -xxCPxTxU...	50 (5.5)
FDO6xHN0 -xxMPxTxV...	100 (11)	FDO8xHN1A -xxCPxTxY...	70 (7.7)	FDO12xHN1A -xxMPxTxJ...	140 (15.4)
FDO6xHN0A -xxCPxTxU...	50 (5.5)	FDO8xHN1A -xxCPxTxJ...	70 (7.7)		
FDO6xHN0A -xxCPxTxG...	70 (7.7)	FDO8xHN1A -xxCPxTxV...	70 (7.7)		
FDO6xHN0A -xxCPxTxF...	70 (7.7)	FDO8xHN1A -xxMPxTxU...	100 (11)		
FDO6xHN0A -xxCPxTxY...	70 (7.7)	FDO8xHN1A -xxMPxTxG...	140 (15.4)		
FDO6xHN0A -xxCPxTxJ...	70 (7.7)	FDO8xHN1A -xxMPxTxF...	140 (15.4)		
FDO6xHN0A -xxCPxTxV...	50 (5.5)	FDO8xHN1A -xxMPxTxY...	140 (15.4)		
FDO6xHN0A -xxMPxTxU...	100 (11)	FDO8xHN1A -xxMPxTxJ...	140 (15.4)		
FDO6xHN0A -xxMPxTxG...	70 (7.7)	FDO8xHN1A -xxMPxTxV...	100 (11)		
FDO6xHN0A -xxMPxTxF...	140 (15.4)				
FDO6xHN0A -xxMPxTxY...	140 (15.4)				
FDO6xHN0A -xxMPxTxJ...	140 (15.4)				
FDO6xHN0A -xxMPxTxV...	100 (11)				
FDO6xHN2 -xxCPxTxU...	50 (5.5)				
FDO6xHN2 -xxCPxTxG...	70 (7.7)				
FDO6xHN2 -xxCPxTxF...	70 (7.7)				
FDO6xHN2 -xxCPxTxY...	70 (7.7)				
FDO6xHN2 -xxCPxTxJ...	70 (7.7)				
FDO6xHN2 -xxCPxTxV...	50 (5.5)				
FDO6xHN2 -xxMPxTxU...	100 (11)				
FDO6xHN2 -xxMPxTxG...	70 (7.7)				
FDO6xHN2 -xxMPxTxF...	140 (15.4)				
FDO6xHN2 -xxMPxTxY...	140 (15.4)				
FDO6xHN2 -xxMPxTxJ...	140 (15.4)				
FDO6xHN2 -xxMPxTxV...	100 (11)				
FDO6xHN2 -xxFPxTxG...	100 (11)				

MODEL FDO16	TORQUE
FDO16xHN1 -xxCPxTxU...	40 (4.4)
FDO16xHN1 -xxCPxTxF...	70 (7.7)
FDO16xHN1 -xxCPxTxY...	70 (7.7)
FDO16xHN1 -xxCPxTxV...	40 (4.4)
FDO16xHN2 -xxMPxTxJ...	140 (15.4)
FDO16xHN2 -xxCPxTxJ...	40 (4.4)
FDO16xHN2 -xxMPxTxG...	140 (15.4)

FD Series Part Number Key

This part number key explains our part numbering system and possible model options. All of our FDOs are custom-configured by our engineers based on customer's specific application parameters. This chart is a reference to help understand the chosen part number.

EXAMPLE																	
FDO	6	S	H	N	4	-	N	S	C	P	150	T	135	J	10	P	S
	size				rev. #				bolt					diaphragm			
1	2	3	4	5	6		7	8	9	10		11		12	13	14	15

1 Model

FDO FD series, in line

FDT FD series, angled (Consult Factory)

2 Port Size

2 1/4"

3 3/8"

4 1/2"

6 3/4"

8 1"

12 1.5"

16 2"

24 3"

3 Body Material¹

S Stainless Steel 316/316L

H Hastelloy C276

I Hastelloy C22

4 Port Type²

H ASME BPE Tri-Clamp

5 Port Option

D 6 mm ID (FDO4 Only)

E 10 mm ID (FDO4 Only)

H 0.370 in ID (FDO4 R6 only)

I 0.305 in ID (FDO4 R6 only)

K 0.180 in ID (FDO4 R6 only)

L Low flow, 6 mm ID (FDO4 Only)

N None

U Flow Through Option (FDT only)

6 Revision

(Factory Selected)

7 Reference Port Threads (non-wetted)

N 1/8" NPT

B 1/8" BSPP

8 Cap Material

(Use same ID as Body Material)

S Stainless Steel 316/316L

9 Bolts

(Factory Selected)

10 Pressure Rating in psi

This is the maximum pressure you would like your unit to be configured to accept. Must be equal to or less than the maximum body pressure (150 psig / 10 bar(g))

11 Temperature Rating³ in Deg C

135 BioPharma applications (typical)

T custom/application-specific

12 Diaphragm Material

G PTFE (Glass Reinforced)

J Jorlon™ (Enhanced PTFE, USP Class VI)

F PTFE (Virgin, USP Class VI)

B Buna-N (Nitrile)

V FKM Fluoroelastomer

M EPDM

U EPDM, USP Class VI

13 Diaphragm Thickness

(Factory Selected)

14 Pulsation Damping⁴

P Passive damping (standard)

A Active damping

15 Other Options

S Sanitary Certification – intended for use in bio-pharmaceutical industry

¹ Contact Equilibar for custom materials

² Contact Equilibar for custom port types

³ Contact an application engineer if you have questions about temperature rating

⁴ If pulsation is a concern, speak to an engineer about active damping

PATENTS

[Patent information about Equilibar products can be found at equilibar.com/support/patents/](http://www.equilibar.com/support/patents/)



FDO Sanitary Series Valves R3/3A and Lower

SYSTEM HAZARD ANALYSIS

Both normal operation as well as possible failure modes and foreseeable misuse must be accounted for in the design of the system which interacts with and connects to the Equilibar back pressure regulator (BPR). It is the responsibility of the end user to account for these hazards. **Please read all of the following safety and hazard precautions before installing or operating any equipment.**

- a. The BPR is not certified as or marketed as a pressure vessel safety relief valve. The BPR is a precision control valve. Guarding against overpressure must be achieved with devices designed and marketed as such.
- b. Sensitive diaphragms and external seals can leak. It is the responsibility of the end user to use this product in a way that prevents injury to personnel should leakage occur. See Standard Terms and Conditions for important Limitation of Liability notes.
- c. If the internal diaphragm ruptures or leaks, the gas or fluid on the pilot port can be introduced into the process fluid. Make sure that the fluids are compatible and not hazardous when mixed.
- d. If the internal diaphragm ruptures or leaks, process fluid can enter the pilot port plumbing. Precautionary measures to consider are described below and on our website www.equilibar.com/equilibar-safety-information/
 - i. Make sure that the process fluids and the pilot are compatible and not hazardous when mixed. Most auxiliary pressure regulators used to provide pilot pressure to the BPR are of the self-relieving design. Guard against the process fluid relieving out the pilot regulator if the BPR diaphragm fails. One method to accomplish this is to set the pilot pressure into a static volume chamber that is sealed with an ON/OFF valve after the pressure is set to the desired value. Another method is to feed the pilot pressure from the pilot regulator through a check valve to the BPR. In order to reduce the pilot pressure a bleed from the pilot port to a safe location must be employed. In many cases this bleed can be made to the output of the BPR.
 - ii. If an electronic pressure regulator is used then special consideration must be made. In addition to reviewing the prospect of having the process media coming in contact with and venting out of the electronic pressure regulator, the possibility of ignition of the media by the electronic pressure regulator must be examined. It is the user's responsibility to determine if a hazardous area classification exists and to make sure that the electronic pressure regulator employed meets or exceeds the requirements of intrinsic safety for that area.
- e. If the internal diaphragm ruptures or leaks the result is often that the BPR will fail into a closed position. This results in a blocked pipe with no path for the fluid to escape through the BPR. Over pressurization of the upstream can occur. Steps must be taken to ensure that the upstream piping is made sufficiently strong to withstand this or is guarded by an overpressure relief device.
- f. Make sure the process pressure to be controlled is connected to the BPR "I" Inlet port. Process fluid flow is from "I" Inlet to the "O" Outlet. If the BPR is connected in reverse it will still operate but it will give poor control and can result in excess pressures.
- g. Observe the maximum temperature and pressure ratings on the BPR label. Take steps to insure these values cannot be exceeded. Where necessary to protect equipment, a suitable type of safety overpressure relief valve must be connected in parallel to the BPR. The overpressure relief valve must be rated to prevent the pressure or temperature from exceeding the BPR maximums as listed on the BPR label. In some installations a rupture disc may be substituted for the safety relief valve.
- h. If the discharge piping on the BPR "O" Outlet port becomes blocked, the BPR will open and fill the discharge piping to the same pressure as the maximum pressure in the system. The discharge piping must be rated to contain this pressure or have a safety relief valve to limit this pressure at or below the safe pressure of the discharge piping.
 - i. Do not use the BPR as a structural member. All piping and plumbing connections to the BPR should be adequately supported.
 - j. Enriched oxygen media (>21%) should not be used in the BPR unless Equilibar has specifically worked with you to provide a product rated and labeled for enriched oxygen. Standard products are not oxygen cleaned. Particle impact, adiabatic compression, and diaphragm motion can all cause ignition in an enriched oxygen media. This kindling chain can cause the entire BPR to oxidize extremely rapidly resulting in high temperatures, discharge of flames and molten metal, and unrestrained escape of process fluid.
- k. The metal cap and body of the BPR are excellent conductors of heat.
 - i. Assume the external temperature of the BPR will rise or fall to match the temperature of the process media flowing through it. In addition to thermal hazards posed to humans by directly touching the BPR exterior, it is the duty of the end user to verify that the temperatures of the process media do not exceed the ignition temperatures of any combustible gases or dust (or mixture) that may be present local to the BPR.
 - ii. Assume the internal temperature of the BPR will rise or fall to match the temperature of the ambient environment. Ensure that the process media flowing through the BPR cannot be damaged or ignited by the maximum and minimum ambient environment temperatures. Low ambient temperatures can cause the media within the regulator to freeze. Expansion cooling in certain gasses can also cause freezing. Freezing can block the BPR and cause excess pressures to build on the "I", Inlet, port. Expansion of water due to freezing can damage the regulator. Ice formation from freezing can perforate metallic foil diaphragms.
- m. The BPR has been carefully designed by skilled engineers to provide proper safety ratios and adequate pressure regulation. Do not attempt to modify the BPR in any way, including adding or enlarging orifices or ports or replacing machine screws (bolts). Only replace the internal O-rings or diaphragms with Equilibar factory provided repair parts.
 - . Never perform maintenance or inspections on a system when pressurized fluids are present. De-pressurize the system before performing this work. De-pressurize inlet pressure before reference otherwise a quick drop in reference pressure can lead to a violent exhaust of the upstream pressure through the regulator.