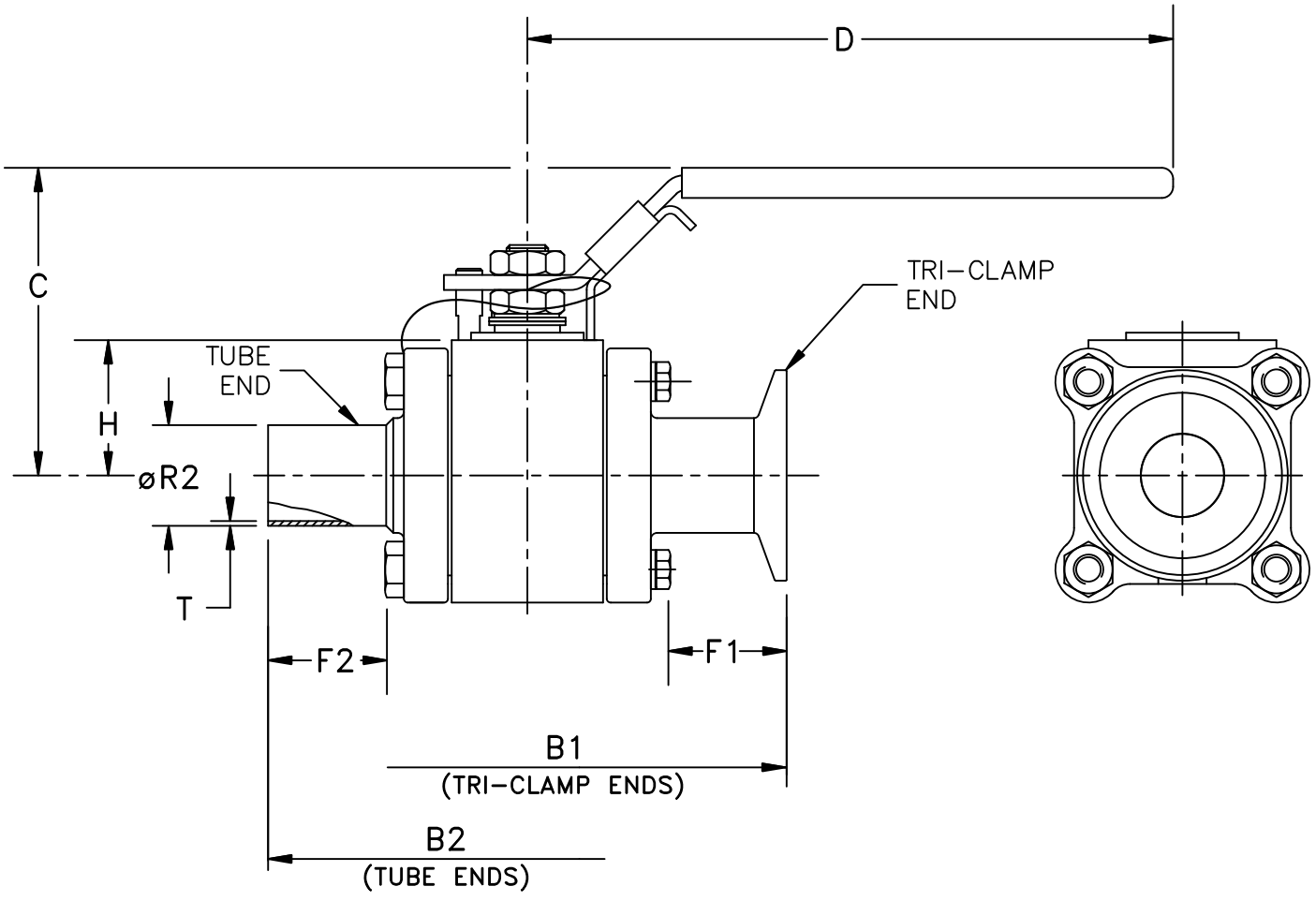


MK9020_050-150

NO	DESCRIPTION	DATE	BY



SIZE	DIMENSIONS IN INCHES					C	D	H	T
	TRI-CLAMP ENDS		TUBE ENDS						
	B1	F1	B2	F2	R2				
1/2"	3.58	0.51	4.94	1.19	0.500±0.005	3.73	5.23	1.22	0.065
3/4"	4.25	0.73	5.29	1.25	0.750±0.005	2.91	5.23	1.38	0.065
1"	5.15	1.00	5.74	1.25	1.000±0.005	3.22	6.76	1.50	0.065
1 1/2"	5.91	0.91	6.51	1.21	1.500±0.008	3.84	8.04	1.95	0.065

TOL. UNLESS OTHERWISE NOTED (IN.)
 VA. END-TO-END LENGTH: ±1/16"
 OTHER VA. DIM.: ≤NPS 2", ±1/8";
 NPS 2 1/2"~4", ±1/4"; >4", ±1/2"
 VA.-ACT. ASSY & PIPING DIM.: ±1/2"

0.5"-1.5"			
MARK9020			
2-WAY SANITARY BV W/HANDLE (BPE)			
REF.	SCALE	-	DATE
	DR. BY	DW	4/04/11
	CHK. BY	KEVIN CARTER	



MK9020_050-150