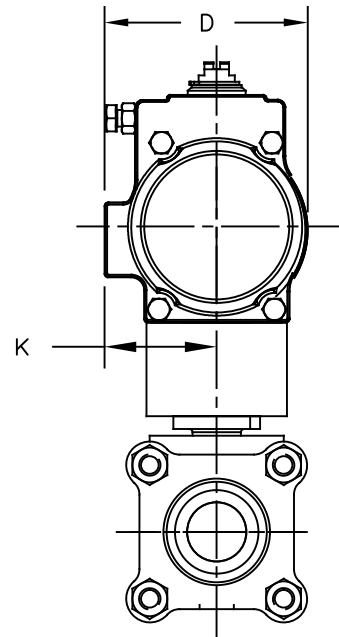
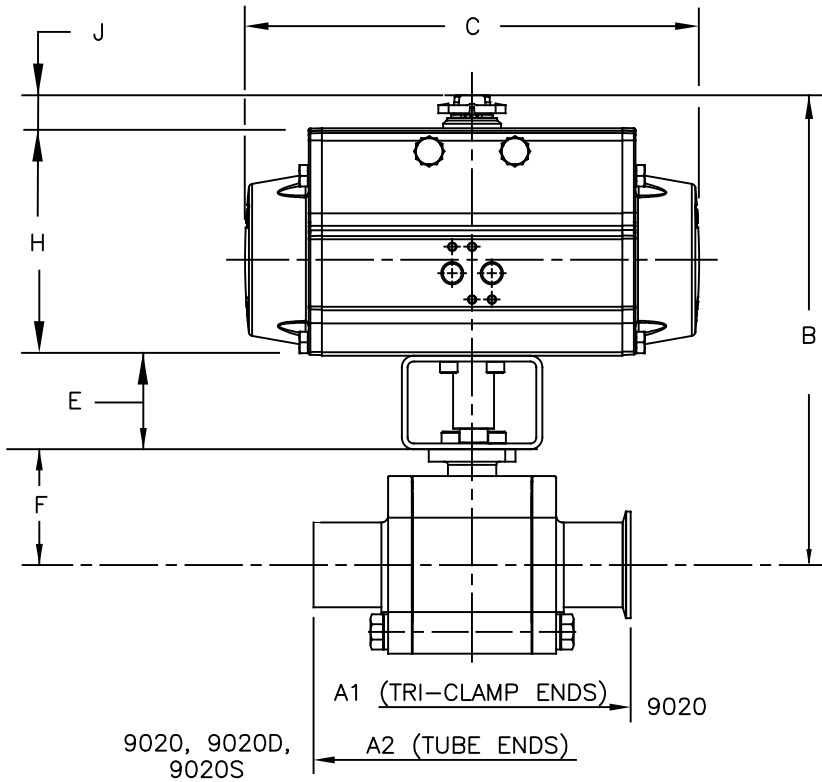


AD33304

| NO | DESCRIPTION | DATE | BY |
|----|-------------|------|----|
| | | | |



| SIZE 9020 (BPE) | SIZE 9020D (DIN) 9020S (ISO) | ACTUATOR PRESSURE (PSI) | ACTUAT. DA | DIMENSIONS (MM) | | | | | | | | | |
|--------------------|------------------------------------|-------------------------------|---------------|-----------------|-----|-----|-----|-----|-----|-----|-----|----|----|
| | | | | A1 | A2 | B | C | D | E | F | H | J | K |
| 1/2" | DN15 | 50 | UT-0 | 91 | 125 | 180 | 142 | 71 | 51 | 29 | 81 | 20 | 41 |
| | | 60-80 | UT-0A | | | 145 | 109 | 46 | 51 | | 46 | 20 | 23 |
| 3/4" | DN20 | 60-80 | UT-0 | 108 | 134 | 185 | 142 | 71 | 51 | 33 | 81 | 20 | 41 |
| 1" | DN25 | 60 | UT-1 | 131 | 146 | 201 | 165 | 81 | 51 | 36 | 94 | 20 | 46 |
| | | 80 | UT-0 | | | 188 | 142 | 71 | 51 | | 81 | 20 | 41 |
| 1 1/2" | DN40 | 60-80 | UT-2 | 150 | 165 | 229 | 211 | 94 | 51 | 47 | 112 | 20 | 53 |
| 2" | DN50 | 60 | UT-3 | 172 | 181 | 277 | 274 | 122 | 51 | 69 | 137 | 20 | 69 |
| | | 80 | UT-2.5 | | | 264 | 241 | 107 | 51 | | 124 | 20 | 58 |
| 2 1/2" | DN65 | 60-80 | UT-3 | 179 | 196 | 318 | 274 | 122 | 51 | 108 | 137 | 20 | 69 |
| 3" | DN80 | 60 | UT-3.5 | 233 | 235 | 358 | 333 | 137 | 51 | 116 | 163 | 30 | 74 |
| | | 80 | UT-3 | | | 325 | 274 | 122 | 51 | | 137 | 20 | 69 |
| 4" | DN100 | 60-80 | UT-3.5 | 260 | 259 | 439 | 333 | 137 | 102 | 155 | 163 | 30 | 74 |

TOLERANCES

TRI-C & TUBE END E-E DIM.: ±1.57mm

ALL OTHER DIMENSIONS:

±6.35"

SEE AD22040 FOR CUSTOMARY DIM.

0.5"-4" (DN15-DN100)

9020, 9020D, 9020S

2-WAY SANITARY BV W/UT-DA ACT.



REF.

SCALE - DATE

DR. BY DW 02/12/09

CHK. BY JJJ Digitally signed by JJH

Date: 2019.04.12 09:44:54 -04'00'

AD33304
METRIC