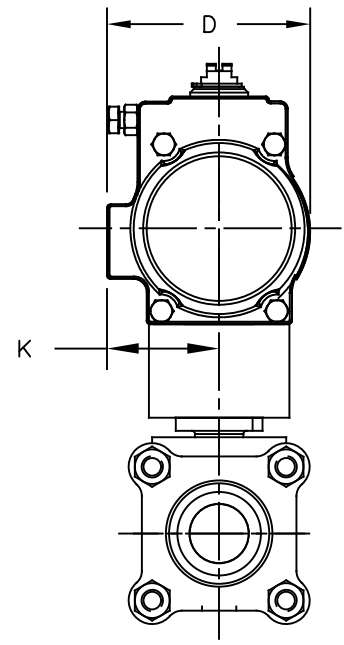
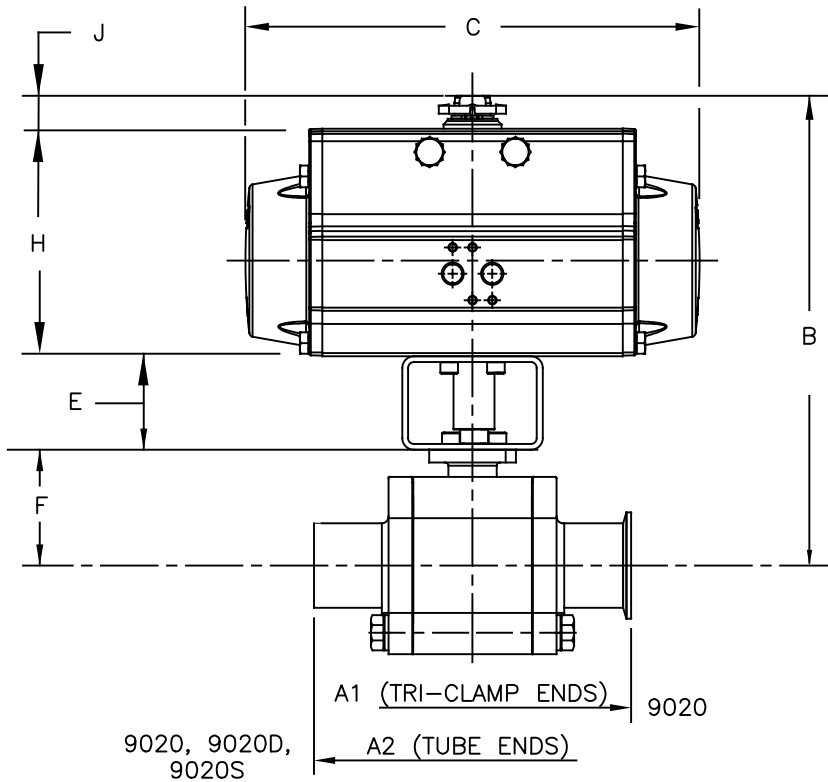


# AD33303

NO	DESCRIPTION	DATE	BY



SIZE 9020 (BPE)	SIZE 9020D (DIN) 9020S (ISO)	ACTUATOR PRESSURE (PSI)	ACTUAT. SR	DIMENSIONS (MM)									
				A1	A2	B	C	D	E	F	H	J	K
1/2"	DN15	50	UT-1	91	125	193	165	81	51	29	94	20	46
		60-80	UT-0			180	142	71	51		81	20	41
3/4"	DN20	60	UT-2	108	134	216	211	94	51	33	112	20	53
		80	UT-1			198	165	81	51		94	20	46
1"	DN25	60	UT-2.5	131	146	231	241	107	51	36	125	20	58
		80	UT-2			218	211	94	51		112	20	53
1 1/2"	DN40	60	UT-3.5	150	165	292	333	137	51	47	163	30	74
		80	UT-3			257	274	122	51		137	20	69
2"	DN50	60	UT-4	171	181	325	373	147	51	69	175	30	81
		80	UT-3.5			277	333	137	51		163	30	74
2 1/2"	DN65	60	UT-4.5	179	196	386	434	165	51	108	198	30	86
		80	UT-4			315	373	147	51		175	30	81
3"	DN80	60	UT-5	233	235	419	500	185	51	116	221	30	99
		80	UT-4.5			394	434	165	51		198	30	86
4"	DN100	60-80	UT-5	260	259	508	500	185	102	155	221	30	99

### TOLERANCES

TRI-C & TUBE END E-E DIM.:  
±1.57mm  
ALL OTHER DIMENSIONS:  
±6.35"

SEE AD22039 FOR CUSTOMARY DIM.

0.5"-4" (DN15-DN100)  
**9020, 9020D, 9020S**  
2-WAY SANITARY BV W/UT-SR ACT.



REF.	SCALE	-	DATE
	DR. BY	DW	04/11/19
	CHK. BY	JJH	Digitally signed by JJH

**AD33303**  
METRIC