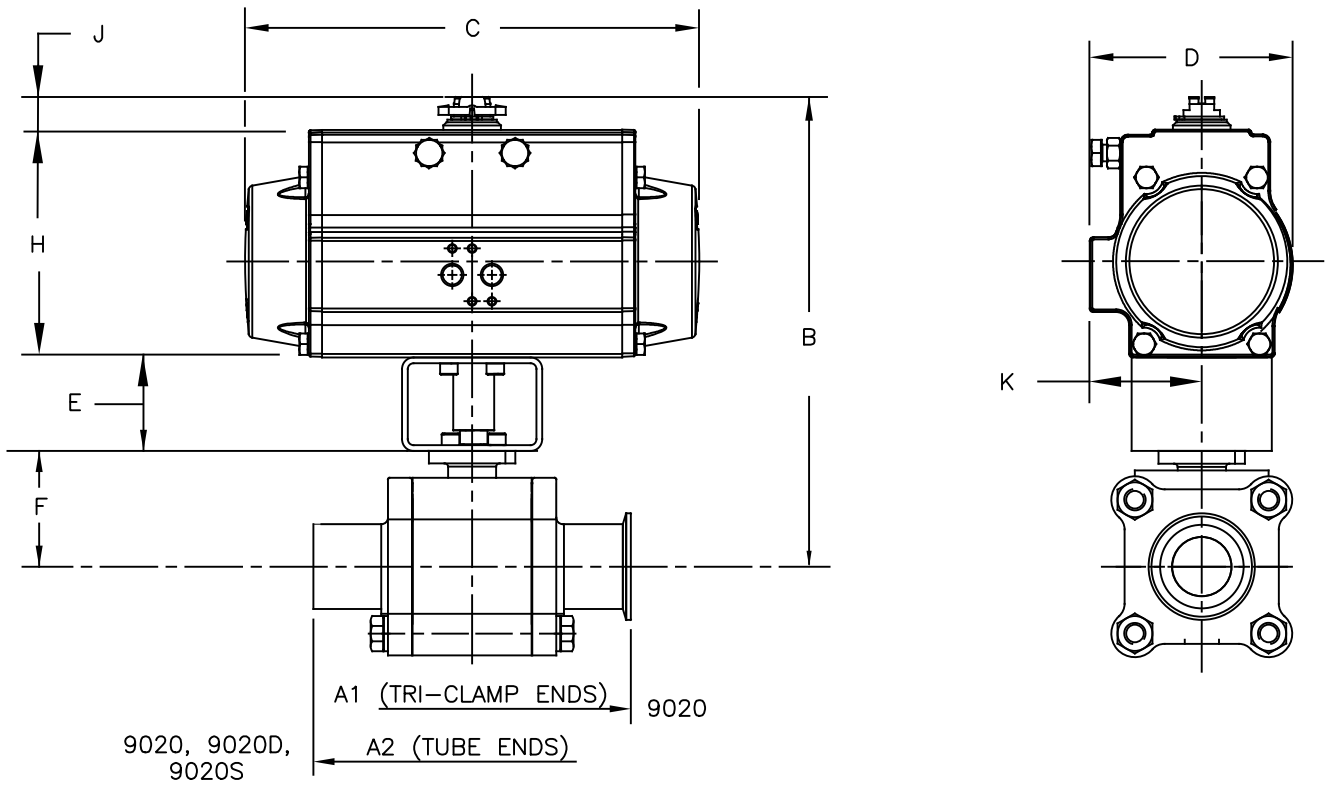


AD22040

| NO | DESCRIPTION | DATE | BY |
|----|---------------|----------|----|
| - | WAS DSGN 2003 | 04/11/19 | DW |



| SIZE 9020 (BPE) | SIZE 9020D (DIN) 9020S (ISO) | ACTUATOR PRESSURE (PSI) | ACTUAT. DA | DIMENSIONS (INCHES) | | | | | | | | | |
|--------------------|------------------------------------|-------------------------------|---------------|---------------------|-------|------|------|-----|------|------|-----|------|-----|
| | | | | A1 | A2 | B | C | D | E | F | H | J | K |
| 1/2" | DN15 | 50 | UT-0 | 3.58 | 4.94 | 7.1 | 5.6 | 2.8 | 2.00 | 1.14 | 3.2 | 0.79 | 1.6 |
| | | 60-80 | UT-0A | | | 5.7 | 4.3 | 1.8 | 2.00 | | 1.8 | 0.79 | 0.9 |
| 3/4" | DN20 | 60-80 | UT-0 | 4.25 | 5.29 | 7.3 | 5.6 | 2.8 | 2.00 | 1.30 | 3.2 | 0.79 | 1.6 |
| 1" | DN25 | 60 | UT-1 | 5.15 | 5.74 | 7.9 | 6.5 | 3.2 | 2.00 | 1.43 | 3.7 | 0.79 | 1.8 |
| | | 80 | UT-0 | | | 7.4 | 5.6 | 2.8 | 2.00 | | 3.2 | 0.79 | 1.6 |
| 1 1/2" | DN40 | 60-80 | UT-2 | 5.91 | 6.51 | 9.0 | 8.3 | 3.7 | 2.00 | 1.86 | 4.4 | 0.79 | 2.1 |
| 2" | DN50 | 60 | UT-3 | 6.75 | 7.13 | 10.9 | 10.8 | 4.8 | 2.00 | 2.72 | 5.4 | 0.79 | 2.7 |
| | | 80 | UT-2.5 | | | 10.4 | 9.5 | 4.2 | 2.00 | | 4.9 | 0.79 | 2.3 |
| 2 1/2" | DN65 | 60-80 | UT-3 | 7.06 | 7.73 | 12.5 | 10.8 | 4.8 | 2.00 | 4.25 | 5.4 | 0.79 | 2.7 |
| 3" | DN80 | 60 | UT-3.5 | 9.19 | 9.25 | 14.1 | 13.1 | 5.4 | 2.00 | 4.56 | 6.4 | 1.18 | 2.9 |
| | | 80 | UT-3 | | | 12.8 | 10.8 | 4.8 | 2.00 | | 5.4 | 0.79 | 2.7 |
| 4" | DN100 | 60-80 | UT-3.5 | 10.23 | 10.21 | 17.3 | 13.1 | 5.4 | 4.00 | 6.10 | 6.4 | 1.18 | 2.9 |

TOLERANCES
 TRI-C & TUBE END E-E DIM.:
 ±1/16"
 ALL OTHER DIMENSIONS: 1/4"

SEE AD33304 FOR METRIC DIM.

0.5"-4" (DN15-DN100)
9020, 9020D, 9020S
 2-WAY SANITARY BV W/UT-DA ACT.

STERIFLOW
 a division of Jordan Valve
 CINCINNATI, OHIO U.S.A.
www.steriflowvalve.com

| | | | |
|------|---------|-----|--|
| REF. | SCALE | - | DATE |
| | DR. BY | DW | 02/12/09 |
| | CHK. BY | JJH | Digitally signed by JJH Date: 2019.04.12 09:41:33 -04'00' |

AD22040