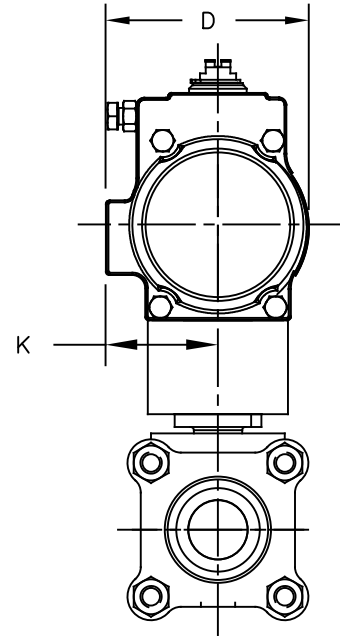
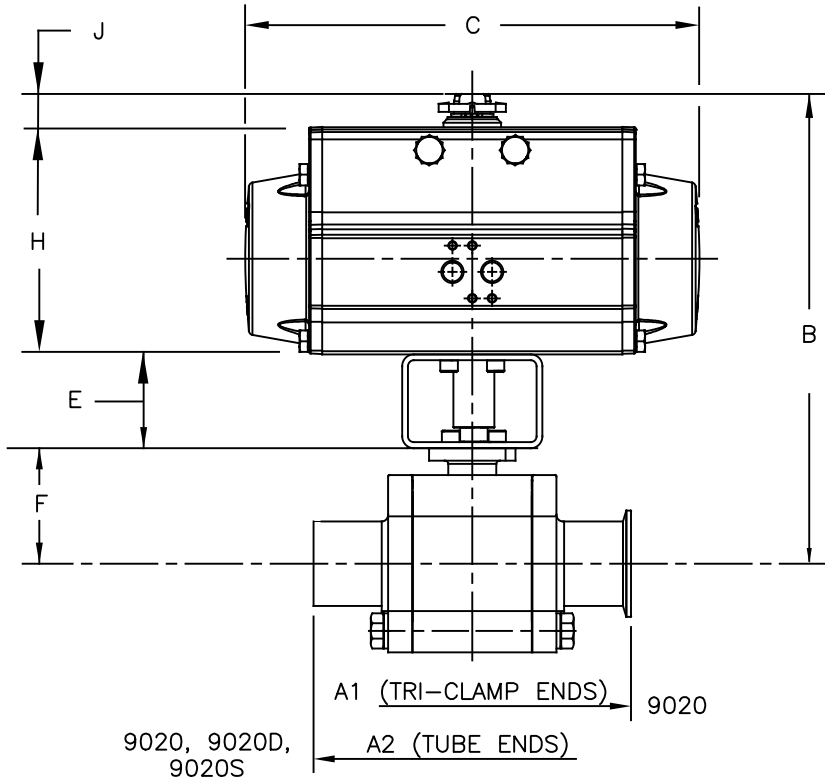


# AD22039

NO	DESCRIPTION	DATE	BY
-	WAS DSGN 2003	04/11/19	DW



SIZE 9020 (BPE)	SIZE 9020D (DIN) 9020S (ISO)	ACTUATOR PRESSURE (PSI)	ACTUAT. SR	DIMENSIONS (INCHES)									
				A1	A2	B	C	D	E	F	H	J	K
1/2"	DN15	50	UT-1	3.58	4.94	7.6	6.5	3.2	2.00	1.14	3.7	0.79	1.8
		60-80	UT-0			7.1	5.6	2.8	2.00				
3/4"	DN20	60	UT-2	4.25	5.29	8.5	8.3	3.7	2.00	1.30	4.4	0.79	2.1
		80	UT-1			7.8	6.5	3.2	2.00				
1"	DN25	60	UT-2.5	5.15	5.74	9.1	9.5	4.2	2.00	1.43	4.9	0.79	2.3
		80	UT-2			8.6	8.3	3.7	2.00				
1 1/2"	DN40	60	UT-3.5	5.91	6.51	11.5	13.1	5.4	2.00	1.86	6.4	1.18	2.9
		80	UT-3			10.1	10.8	4.8	2.00				
2"	DN50	60	UT-4	6.75	7.13	12.8	14.7	5.8	2.00	2.72	6.9	1.18	3.2
		80	UT-3.5			10.9	13.1	5.4	2.00				
2 1/2"	DN65	60	UT-4.5	7.06	7.73	15.2	17.1	6.5	2.00	4.25	7.8	1.18	3.4
		80	UT-4			12.4	14.7	5.8	2.00				
3"	DN80	60	UT-5	9.19	9.25	16.5	19.7	7.3	2.00	4.56	8.7	1.18	3.9
		80	UT-4.5			15.5	17.1	6.5	2.00				
4"	DN100	60-80	UT-5	10.23	10.21	20.0	19.7	7.3	4.00	6.10	8.7	1.18	3.9

### TOLERANCES

TRI-C & TUBE END E-E DIM.:  
±1/16"

ALL OTHER DIMENSIONS: 1/4"

SEE AD33303 FOR METRIC DIM.

0.5"-4" (DN15-DN100)  
9020, 9020D, 9020S  
2-WAY SANITARY BV W/UT-SR ACT.

**STERIFLOW**  
a division of Jordan Valve  
CINCINNATI, OHIO U.S.A.  
www.steriflowvalve.com

REF.	SCALE	-	DATE
	DR. BY	DW	02/12/09
	CHK. BY	JJH	Date: 2019.04.12 09:40:50 -04'00'

# AD22039