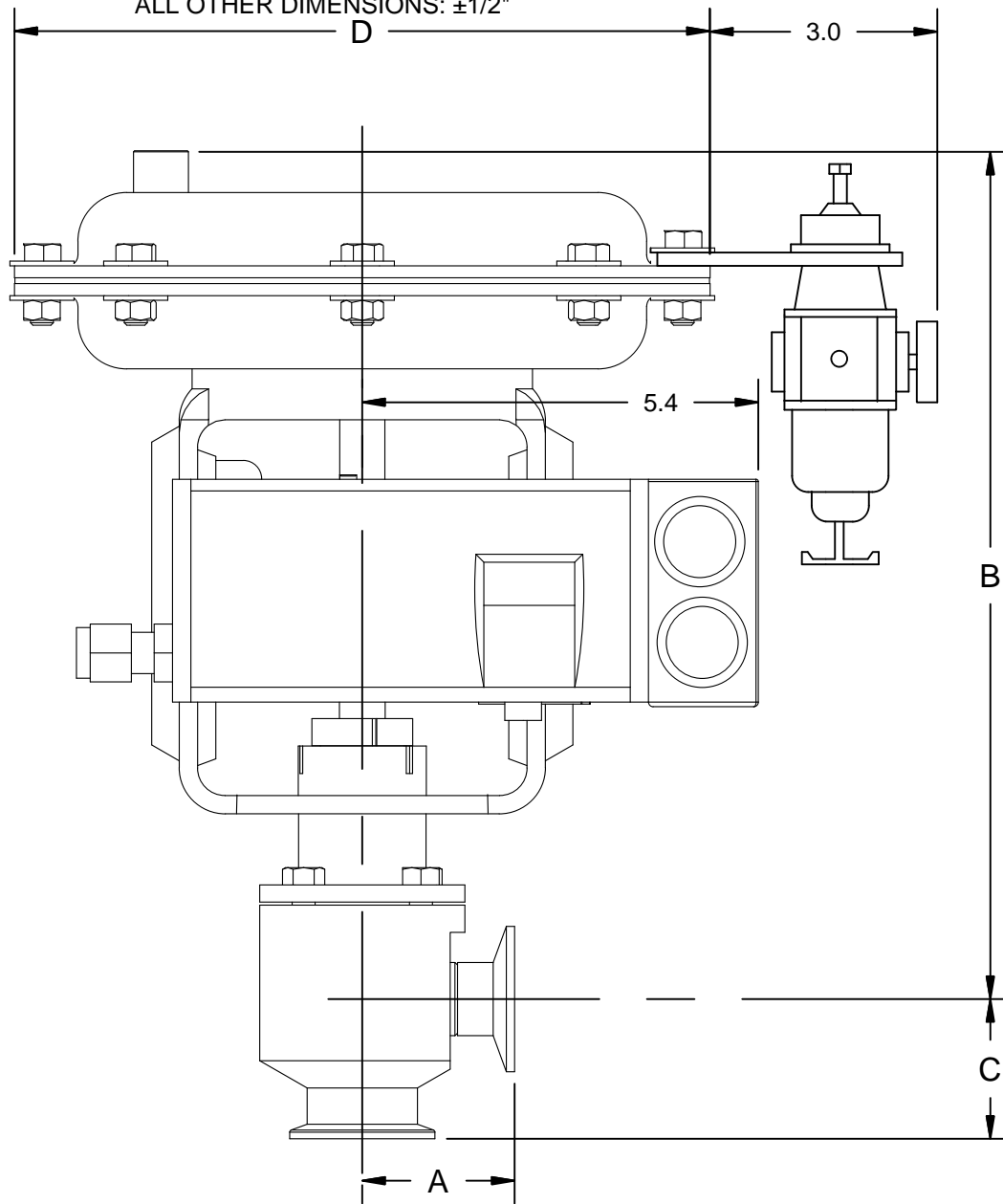


**TOLERANCES**

BWE, FE, TRI-C & TUBE END F-F DIM ARE  $\pm 1/16"$

ALL OTHER DIMENSIONS:  $\pm 1/2"$



VALVE SIZE	DIMENSIONS				Wt. lbs.
	A	B	C	D	
1/2"	2.08	11.94	1.91	9.50(35M)	35(35M)
				12.50(55M)	50(55M)
3/4"	2.08	11.94	1.91	9.50(35M)	35(35M)
				12.50(55M)	50(55M)
1"	2.08	11.94	1.91	9.50(35M)	35(35M)
				12.50(55M)	50(55M)
1 1/2"	3.08	15.00	3.30	12.50(55M)	55(55M)
				15.00(85M)	65(85M)
2"	3.08	15.00	3.30	12.50(55M)	55(55M)
				15.00(85M)	65(85M)

**SPECIFICATION DATA**

CUSTOMER \_\_\_\_\_

ORDER No. \_\_\_\_\_ SERIAL No. \_\_\_\_\_

TAG No. \_\_\_\_\_

VALVE TYPE \_\_\_\_\_ QTY. \_\_\_\_\_

BODY \_\_\_\_\_

END CONN. \_\_\_\_\_

INLET PRESS. \_\_\_\_\_ MAX.  $\Delta P$  \_\_\_\_\_

CONTROL RANGE \_\_\_\_\_

VALVE ACTION: RISE IN SIGNAL TO  OPEN  CLOSE

VALVE SEAT \_\_\_\_\_ Cv \_\_\_\_\_

MISC. \_\_\_\_\_

CERTIFIED \_\_\_\_\_ DATE \_\_\_\_\_



**1/2" - 2" MK978SP SANITARY CONTROL VALVE**  
35M/55M/85M ACTUATOR  
SST W/TRI-CLAMP ENDS, 16IQ, AIR REG

DRAWN BY	DATE
JLM	8/11/08
CHECKED BY	DATE

**MK978SP-16IQ**