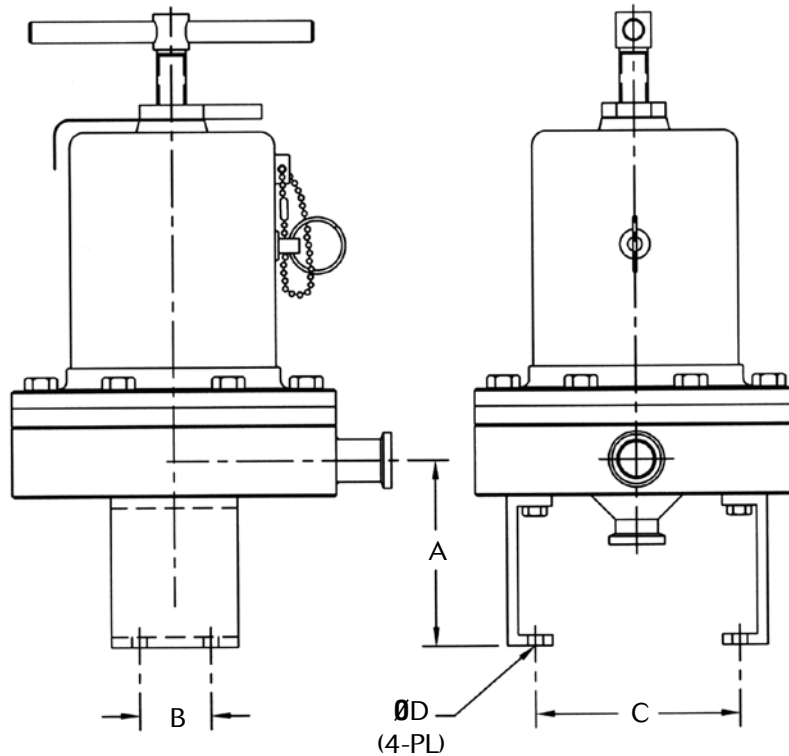




## Mark 95 & Mark 96 Bracket for Inlet Elbow Installation

These new brackets enable users to mount a Mark 95 or Mark 96 regulator on a flat surface with enough elevation to allow the installation of a tri-clamp sanitary elbow (same size as inlet - no reducing elbows)



| Part Number    | Valve Size | Dimensions, Inches (mm) |             |              |             |
|----------------|------------|-------------------------|-------------|--------------|-------------|
|                |            | A                       | B           | C            | D           |
| 95/96-150-LBKT | 1-1/2"     | 8.83 (224,3)            | 2.00 (50,8) | 5.40 (137,2) | 0.63 (16,0) |
| 95/96-2&3-LBKT | 2"         | 11.07 (281,2)           | 2.00 (50,8) | 6.75 (171,5) | 0.63 (16,0) |
| 95/96-2&3-LBKT | 3"         | 11.07 (281,2)           | 2.00 (50,8) | 7.75 (196,9) | 0.63 (16,0) |

### How to Order:

Specify the part number above required for your particular application. Example: you need to mount a 2" MK95 on a flat structural support next to a WFI tank. In order to pipe the installation, the valve inlet must be connected to a 2" sanitary elbow. Select bracket model 95/96-2&3-LBKT.