

purity.precision.control



The single source for high performance,
high quality, sanitary valves.

j-pure series
high purity gas
pressure regulator



J-Pure Series High Purity Pressure Regulator

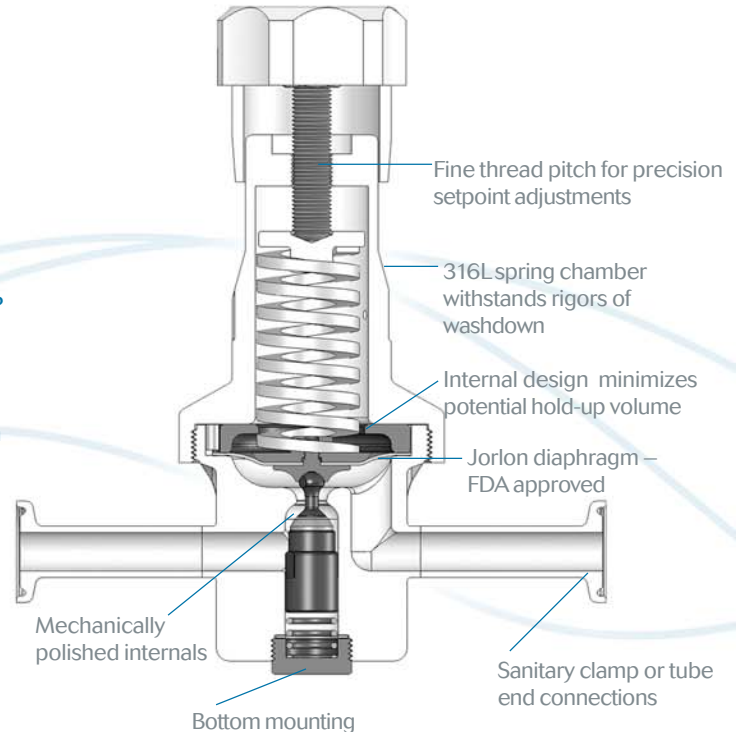
The J-Pure sanitary pressure regulator is ideally suited for reducing pressure of high purity gases commonly found in biotech and pharmaceutical applications.

This compact, rugged regulator features an ANSI Class VI shutoff rating and an inline configuration, bridging the gap of larger, angle-body sanitary regulators typically found in clean steam applications.

The J-Pure Series is a high capacity, high turndown regulator which eliminates the need for reduced trim designs. ASME BPE 2005 grade materials and finish allow the J-Pure to regulate high purity gases continuously but also withstand the rigors SIP and CIP processes.

The proprietary Jorlon diaphragm material is a key feature of the J-Pure regulator. A durable, USP Class VI approved material, Jorlon offers strength, chemical resistance and flexibility resulting in unsurpassed longevity. That, combined with superb valve design, deliver outstanding capacity and accuracy for the life of your process.

For nearly two decades, Steriflow has been committed to providing the highest quality, longest lasting, best performing products in the sanitary process industry. With J-Pure, the commitment continues.



For the life of your process...

Purity

- Ideal for clean process gases requiring sterile and accurate regulation
- FDA/USP Class VI elastomer materials
- ASME BPE 2005 grade 316L material
- Minimized internal volume restricts potential product hold-up

Precision

- Sub-micron mechanically polished internal surface
- Tight tolerance machining on intricate trim components
- Computer controlled fusion welds
- Electronically stored surface finish measurements traced to each trim part

Control

- Jorlon diaphragm – extreme longevity with high sensitivity
- Guided trim provides stability and high rangeability
- Light spring rates and fine-pitched adjusting screw for superior accuracy of regulation
- Complete documentation supplied with shipment for expedited validation and start-up



purity.precision.control



STERIFLOW

a division of Jordan Valve

purity.precision.control

3170 Wasson Road • Cincinnati, OH 45209 USA
513.533.5600 • 800.543.7311 • 513.871.0105 (f)
steriflow@richardsind.com • www.steriflowvalve.com

For further information visit www.steriflowvalve.com