

purity.precision.control



The single source for high performance,  
high quality, sanitary valves.

**mark 96 series  
sanitary pressure regulator**



## Mark 96 Series Sanitary Pressure Regulator

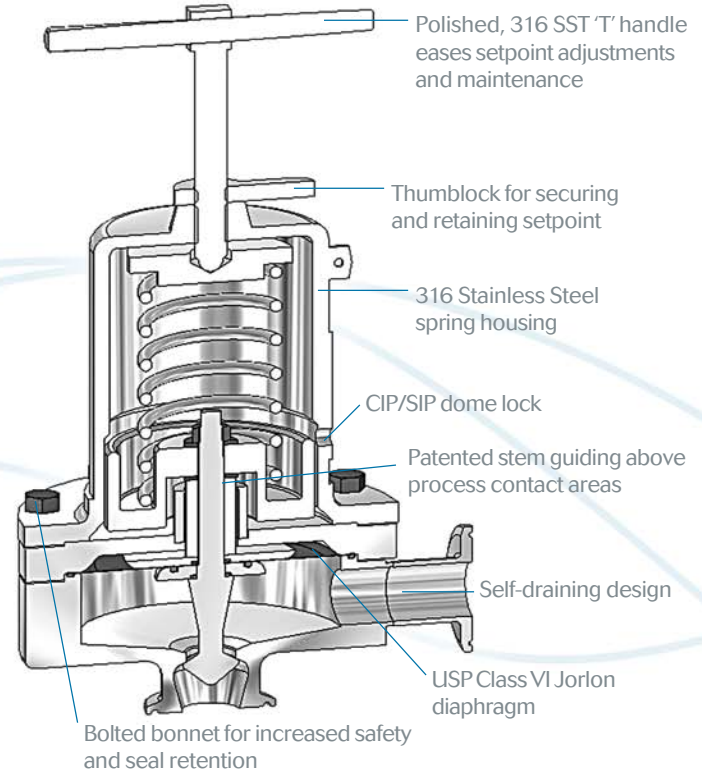
The Mark 96 – an industry leader for over fifteen years – just keeps getting better.

Designed to reduce pressure in sanitary process systems, the Mark 96 combines high accuracy with high capacity to cover the widest range of clean steam, gas and liquid applications. When compromise between purity and performance is unacceptable, the Mark 96 is the right regulator for the job.

The highest grades of materials go into first class designs that combine with specialized manufacturing processes to deliver the performance you need with the purity you demand.

Our proprietary Jorlon diaphragm material has been tested to temperatures, cycles and pressures far beyond the scope of most sanitary systems. It handles the rigors of high cycling, clean steam, process gases, CIP chemicals and vacuum conditions with ease and provides the peace of mind that comes with USP Class VI material approval.

At Steriflow, we understand sanitary processes are always evolving. With the Mark 96, spend less time developing your process and more time processing your development.



# For the life of your process...

## Purity

- Compliance to ASME BPE 2005 guidelines
- Ideal for pure steam pressure regulation
- FDA/USP Class VI materials including proprietary Jorlon diaphragm
- Patented, non-wetted guiding eliminates particulate generation

## Precision

- Tightest machining tolerances on rugged barstock body, trim
- Automated mechanical polishing on interior and exterior body surfaces
- Sub-micron electropolished surface finish on all wetted metal parts
- Computer controlled automated fusion welding

## Control

- Leading Cv vs. Droop performance characteristics
- Extremely long life with Jorlon diaphragm on steam, gases, liquids and vacuum
- ANSI Class VI Seat Leakage with Soft Seat Option
- Air-assisted dome loading optional
- Complete documentation with shipment expedites validation and start-up



purity.precision.control



**STERIFLOW**

a division of Jordan Valve

purity.precision.control

3170 Wasson Road • Cincinnati, OH 45209 USA  
513.533.5600 • 800.543.7311 • 513.871.0105 (f)  
steriflow@richardsind.com • www.steriflowvalve.com

For further information visit [www.steriflowvalve.com](http://www.steriflowvalve.com)